



### Model Number

CCN15-30GS60-E2

### Features

- 15 mm non-flush
- Operating distance adjustable via potentiometer
- High EMC resistance
- Stainless steel version
- Operating voltage range 10 V ... 60 V DC

### Accessories

BF 30  
Mounting flange, 30 mm

## Technical Data

### General specifications

Switching element function	PNP	NO
Rated operating distance	$s_n$	15 mm
Installation	non-flush	
Output polarity	DC	
Assured operating distance	$s_a$	0 ... 12.1 mm

### Nominal ratings

Installation conditions		
A	18 mm	
B	10 mm	
C	30 mm	
F	60 mm	
Operating voltage	$U_B$	10 ... 60 V DC
Switching frequency	$f$	0 ... 10 Hz
Reverse polarity protection	reverse polarity protected	
Short-circuit protection	pulsing	
Voltage drop	$U_d$	$\leq 2.8$ V
Operating current	$I_L$	0 ... 200 mA
Off-state current	$I_r$	0 ... 0.5 mA typ. 0.1 $\mu$ A at 25 °C
Off-state current $T_U = 40$ °C, switching element off	$\leq 100$ $\mu$ A	
No-load supply current	$I_0$	$\leq 20$ mA
Time delay before availability	$t_v$	$\leq 50$ ms
Switching state indicator	LED, yellow	

### Functional safety related parameters

MTTF <sub>d</sub>	750 a
Mission Time ( $T_M$ )	20 a
Diagnostic Coverage (DC)	0 %

### Indicators/operating means

Potentiometer	sensitivity adjustment
---------------	------------------------

### Ambient conditions

Ambient temperature	-25 ... 70 °C (-13 ... 158 °F)
Storage temperature	-40 ... 85 °C (-40 ... 185 °F)

### Mechanical specifications

Connection type	cable PVC , 2 m
Core cross-section	0.75 mm <sup>2</sup>
Housing material	Stainless steel 1.4305 / AISI 303
Sensing face	PBT
Degree of protection	IP67

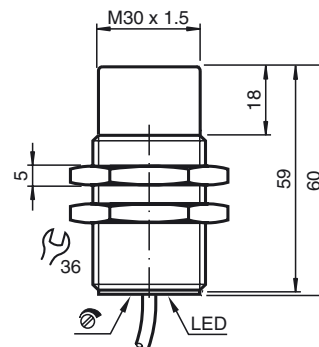
### Compliance with standards and directives

Standard conformity	
Standards	EN 60947-5-2:2007 IEC 60947-5-2:2007

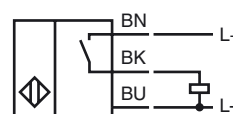
### Approvals and certificates

UL approval	cULus Listed, General Purpose
CSA approval	cCSAus Listed, General Purpose
CCC approval	Certified by China Compulsory Certification (CCC)

## Dimensions



## Electrical Connection



Installation Conditions

